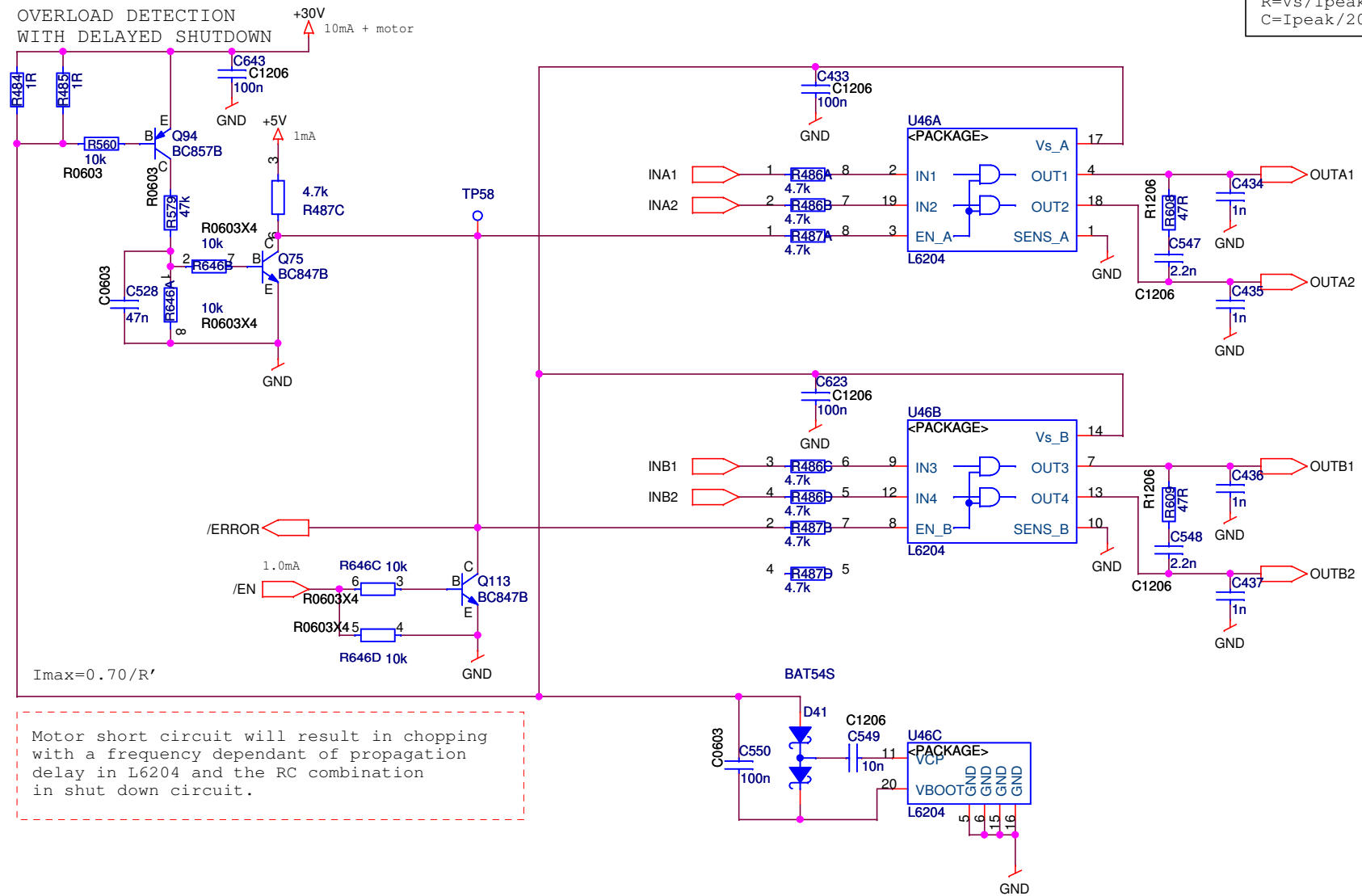


OVERLOAD DETECTION
WITH DELAYED SHUTDOWN



Snubber:
R=Vs/Ipeak,
C=Ipeak/200[V/us].

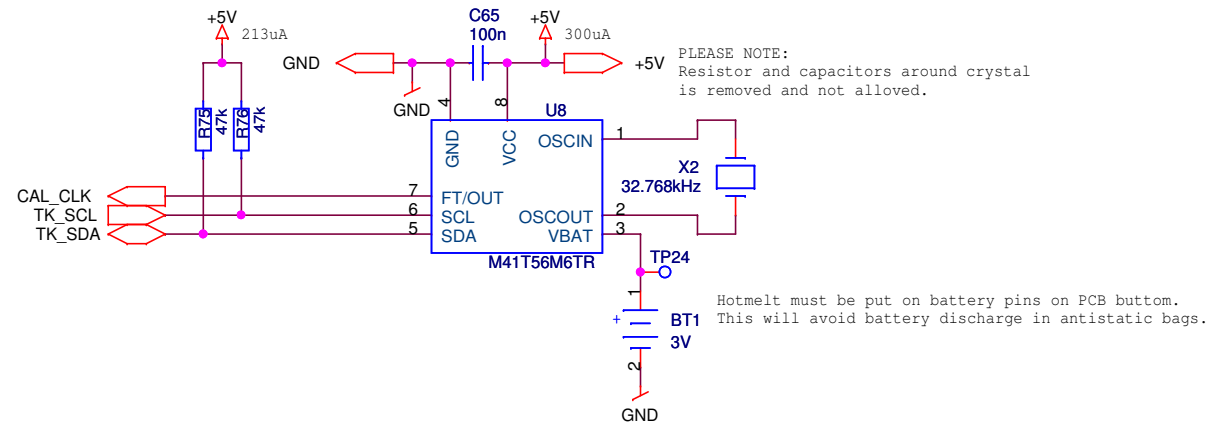
$I_{max} = 0.70/R'$

Motor short circuit will result in chopping with a frequency dependant of propagation delay in L6204 and the RC combination in shut down circuit.

Changes from Prototype:
Capacitor over enable transistor is changed from 100n to 47n (minimun X7R)
Sense resistors is changed from two 1.0 ohm to tree 1.5 ohms.

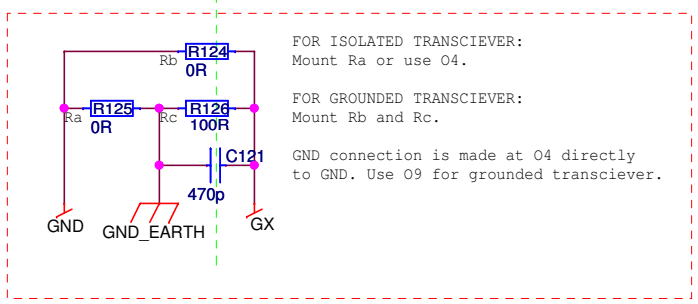
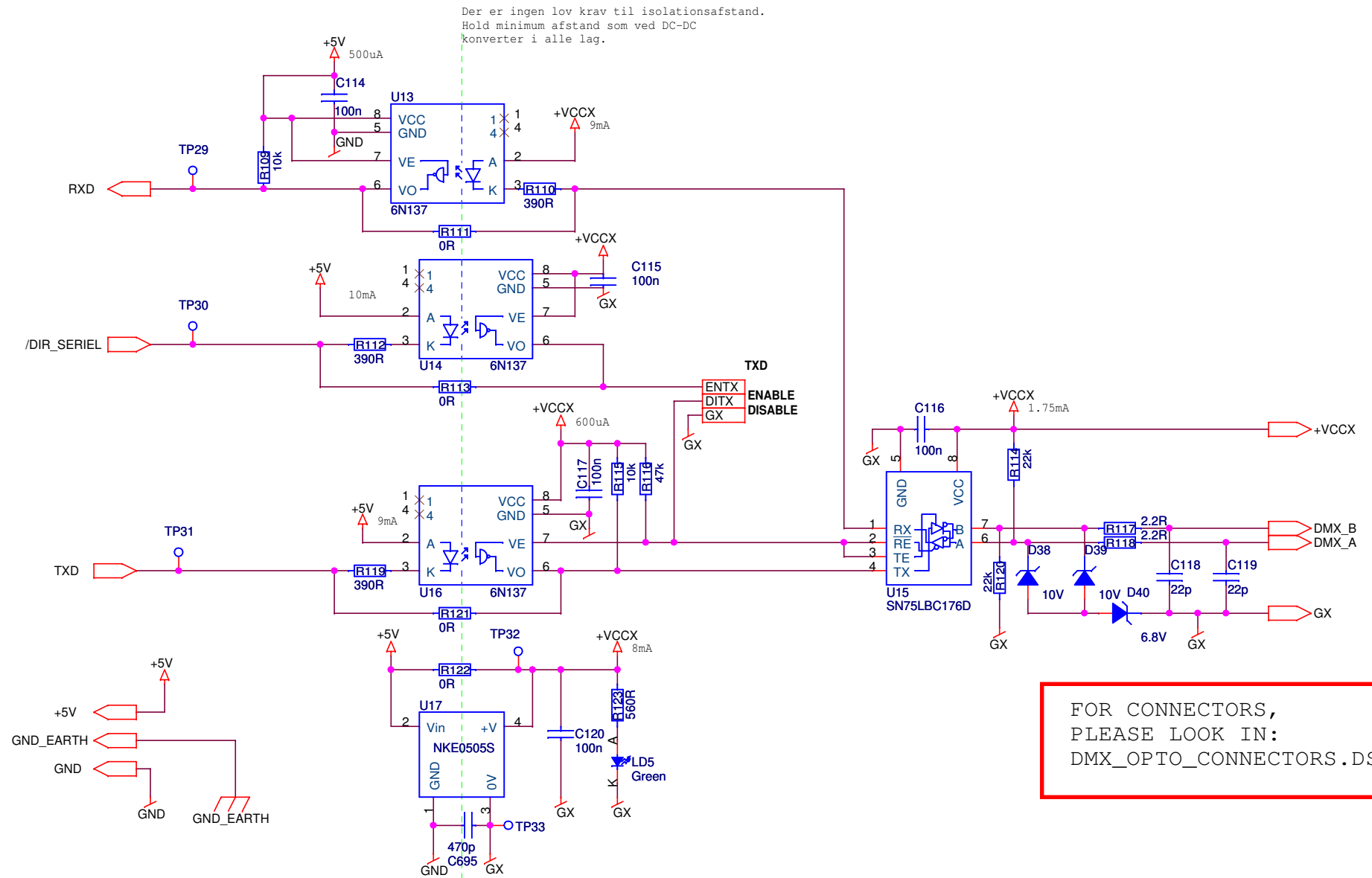
<Variant Name>

Martin	Project Title MAC400		Drawn By JOH
	Size A4	PCB Title L6204_DRIVER	
2 Sheet	33 of	Date: Monday, October 20, 2003	Product Baan Number None



<Variant Name>

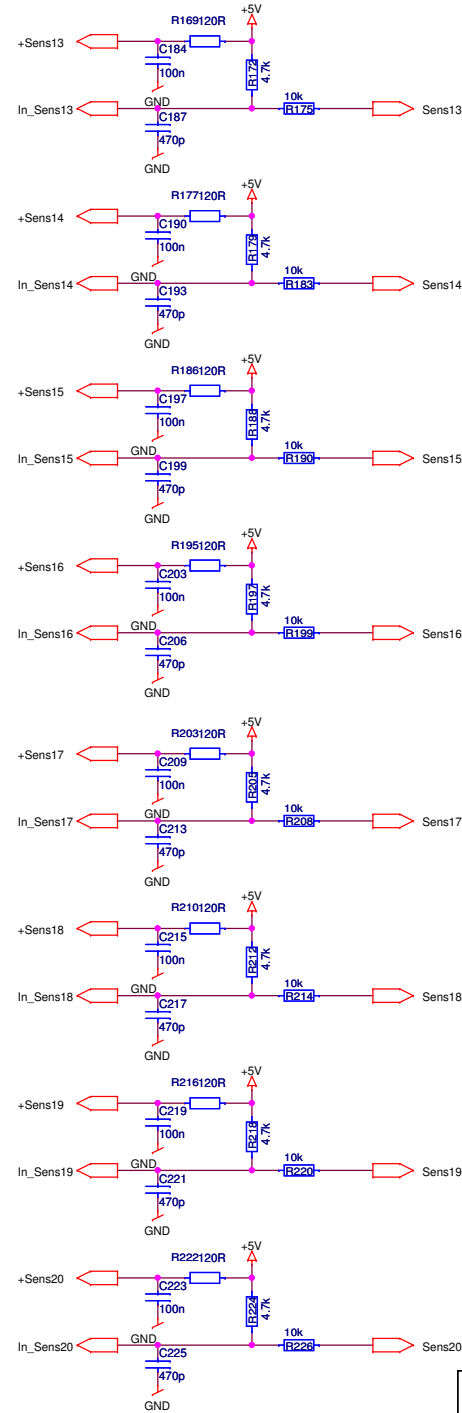
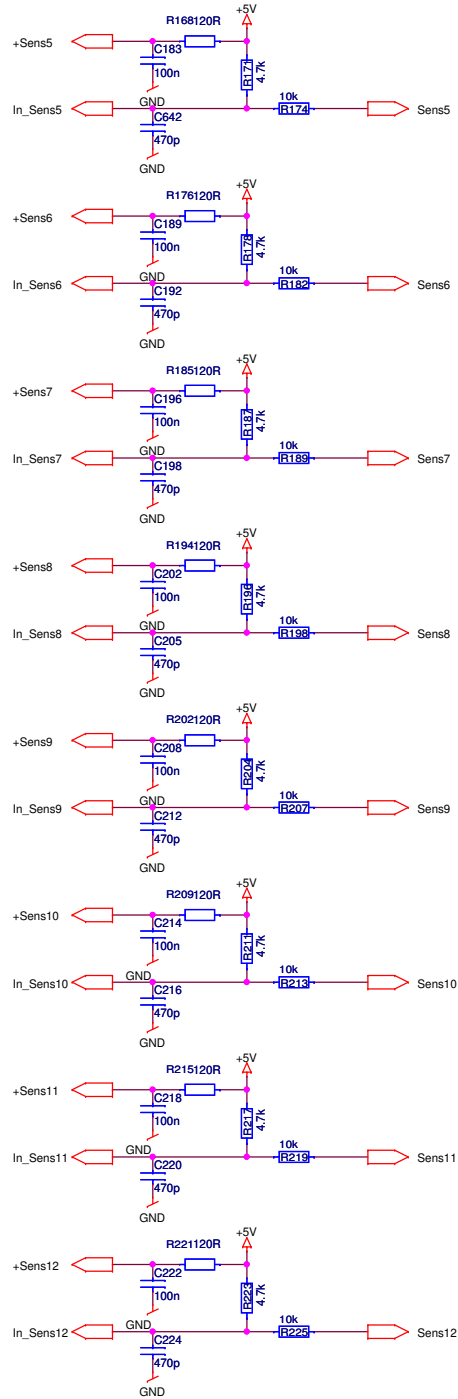
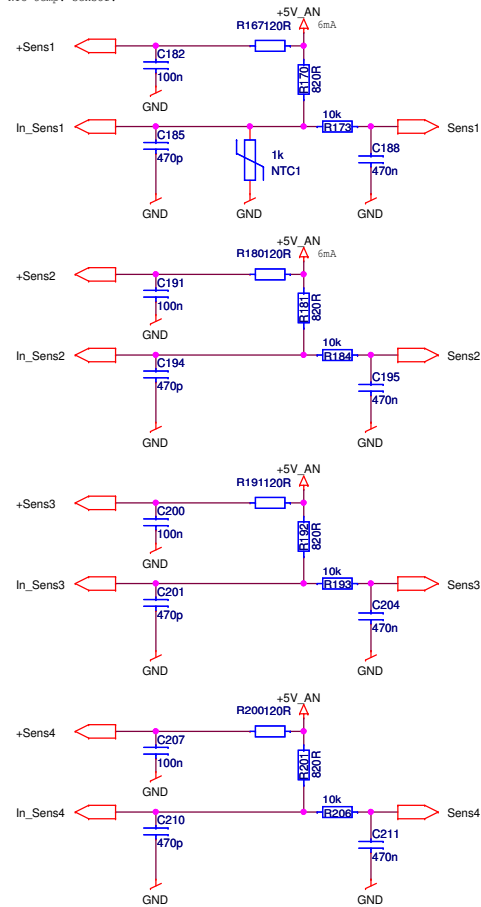
Martin	Project Title MAC400		Drawn By JOH
	Size A4	PCB Title REAL TIME CLOCK	Rev C
Sheet 5 of 33		Date: Monday, October 20, 2003	Product Baan Number None



<Variant Name>

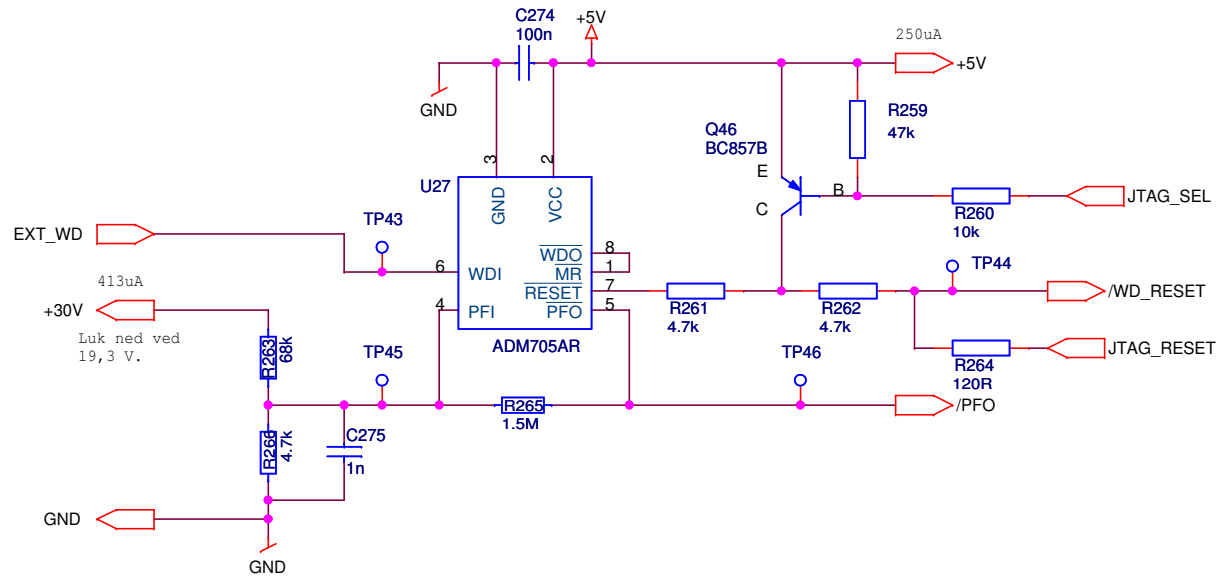
	Project Title	Drawn By
	MAC400	JOH
Size A4	PCB Title	Rev C
	DMX_OPTO	
Sheet 6 of 33	Date: Monday, October 20, 2003	Product Baan Number none

NTC temp. sensor.




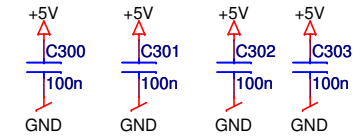
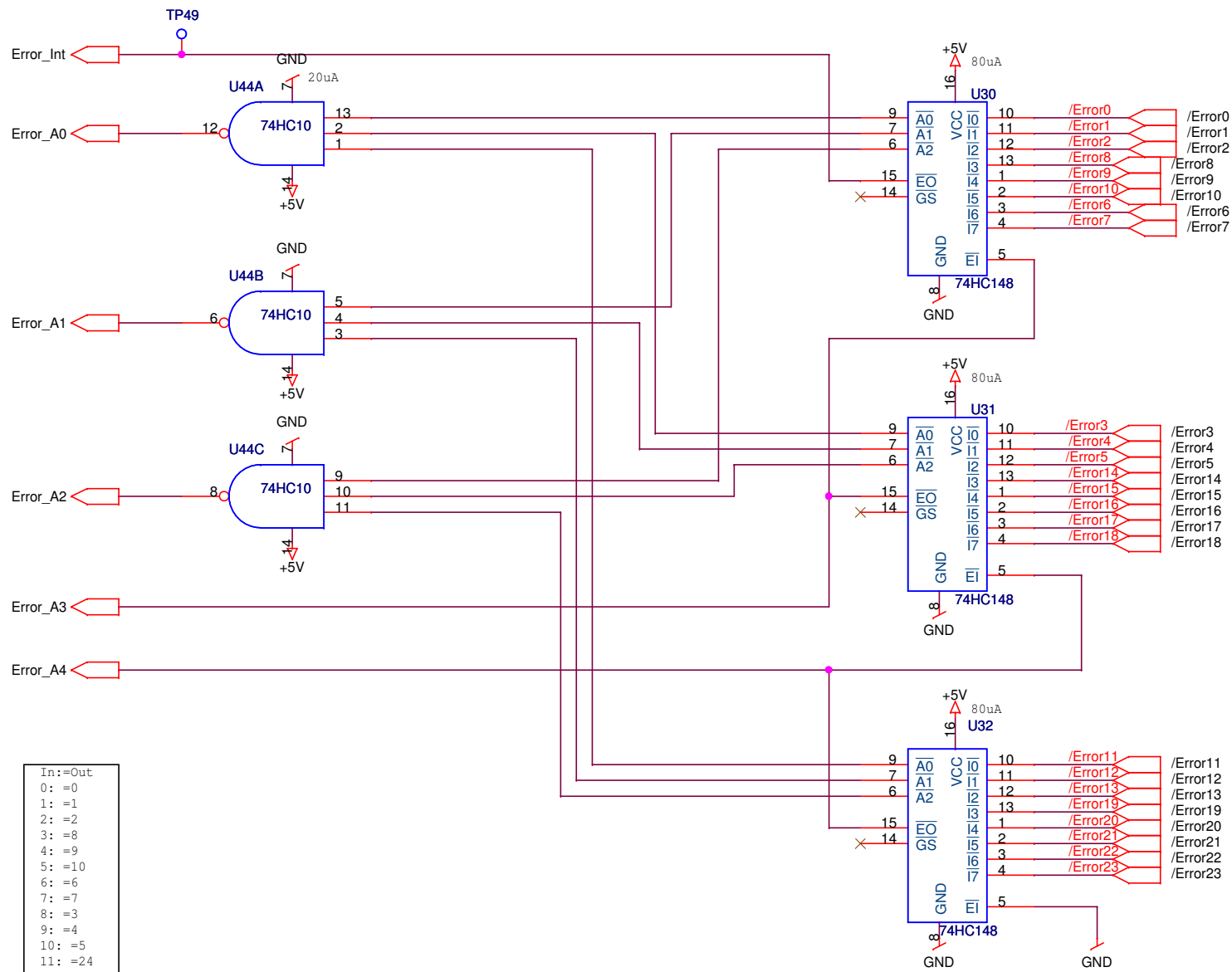
<Variant Name>

Martin	Project Title	MAC400	Drawn By	JOH
	Size	A3	PCB Title	SENSOR MODULE
Date:		Monday, October 20, 2003	Product Baan Number	None
Sheet 9 of 33				



<Variant Name>

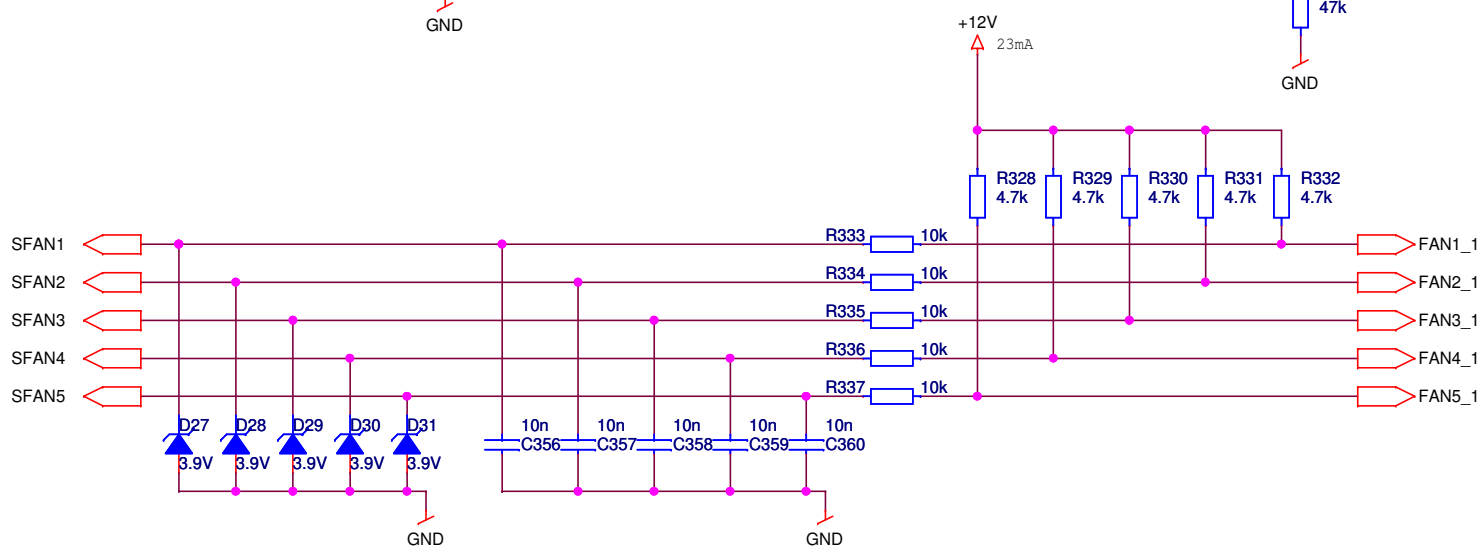
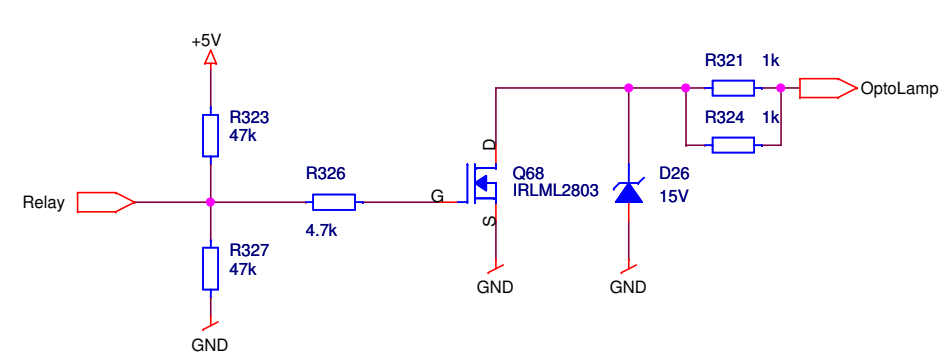
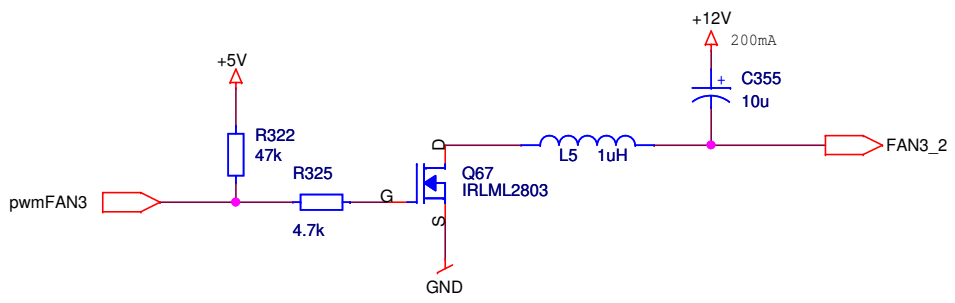
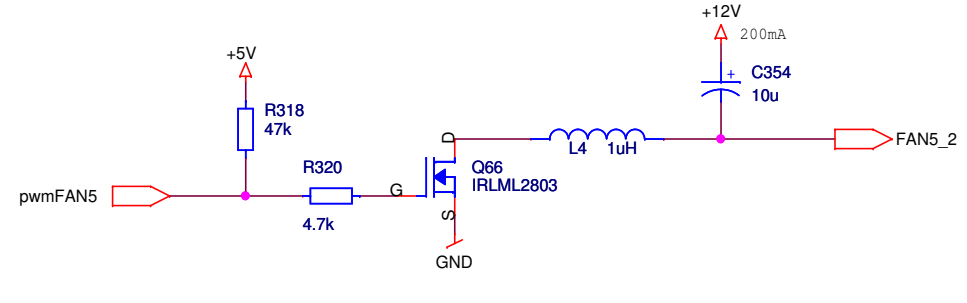
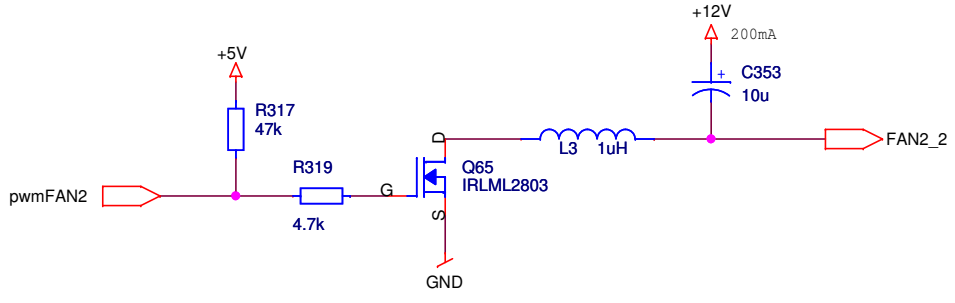
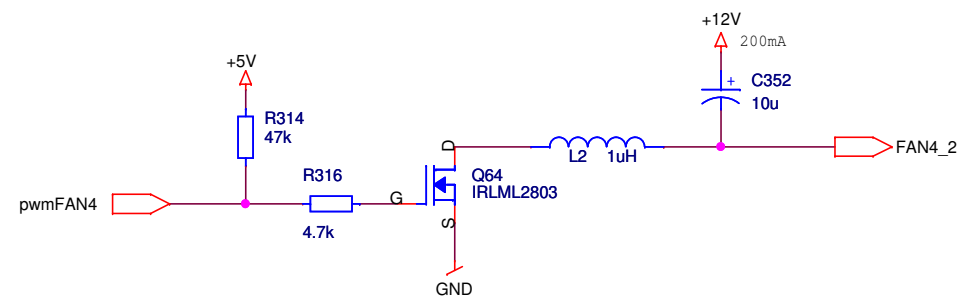
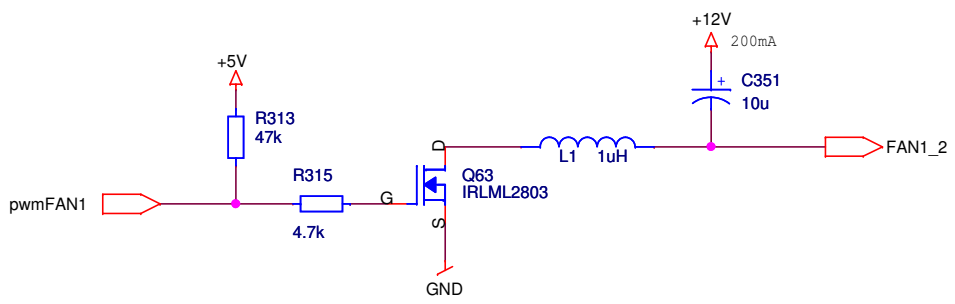
	Project Title MAC400		Drawn By JOH
	Size A4	PCB Title WATCH_DOG	Rev C
Date: Monday, October 20, 2003		Product Baan Number None	
Sheet 12 of 33			



In:	=Out
0:	=0
1:	=1
2:	=2
3:	=8
4:	=9
5:	=10
6:	=6
7:	=7
8:	=3
9:	=4
10:	=5
11:	=24
12:	=25
13:	=26
14:	=11
15:	=12
16:	=13
17:	=14
18:	=15
19:	=27
20:	=28
21:	=29
22:	=30
23:	=31

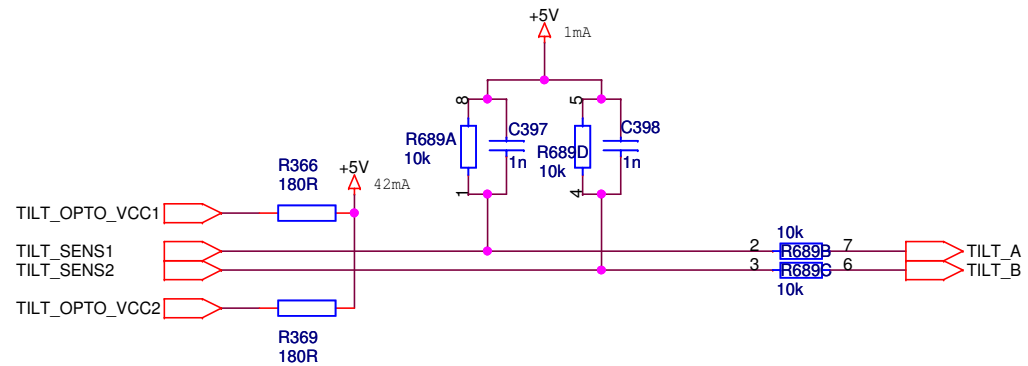
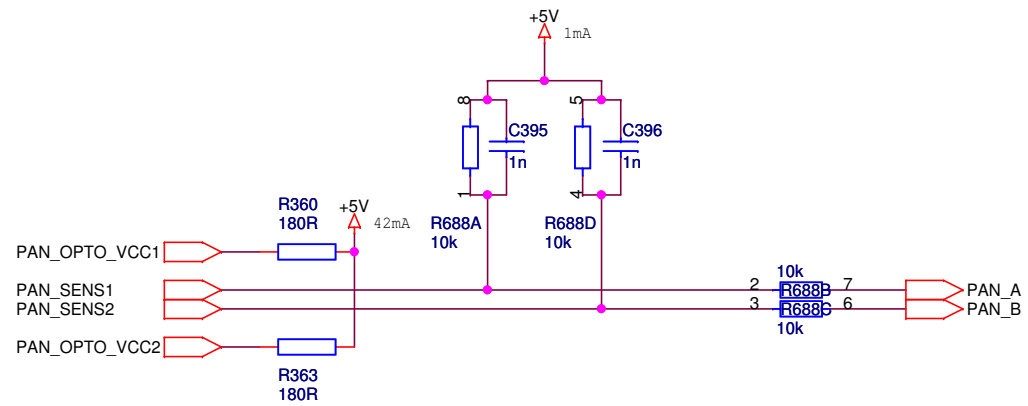
<Variant Name>

	Project Title MAC400	Drawn By JOH
	Size A4	PCB Title Driver_Error
Sheet 14 of 33	Date: Monday, October 20, 2003	Product Baan Number None



<Variant Name>

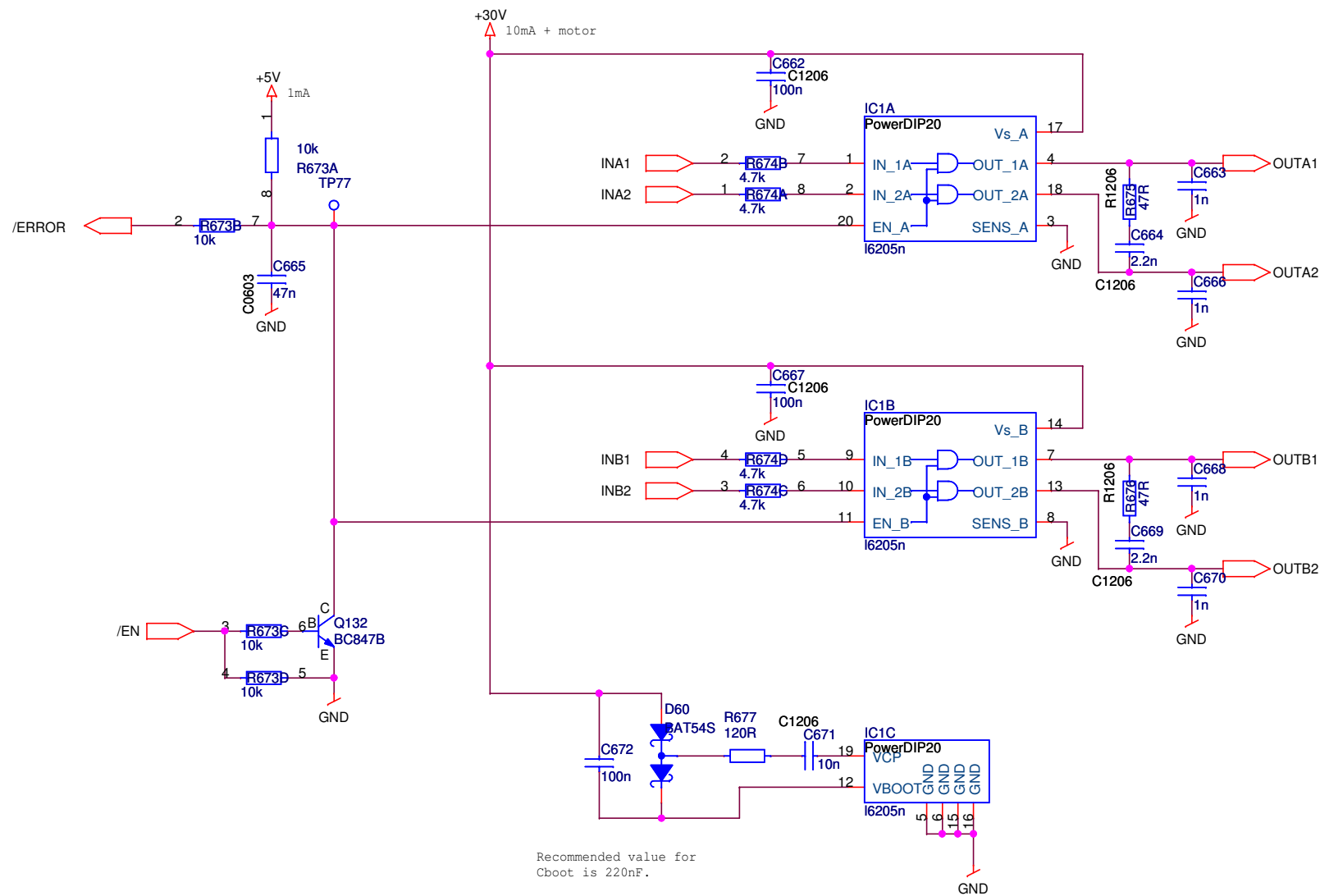
	Project Title MAC400		Drawn By JOH
	Size A4	PCB Title AUX_LATCH	
Date: Monday, October 20, 2003		Product Baan Number None	
Sheet 16 of 33			



<Variant Name>

Martin	Project Title MAC400		Drawn By JOH
	Size A4	PCB Title Feedback	Rev C
Sheet 28 of 33	Date: Monday, October 20, 2003		Product Baan Number 01001521

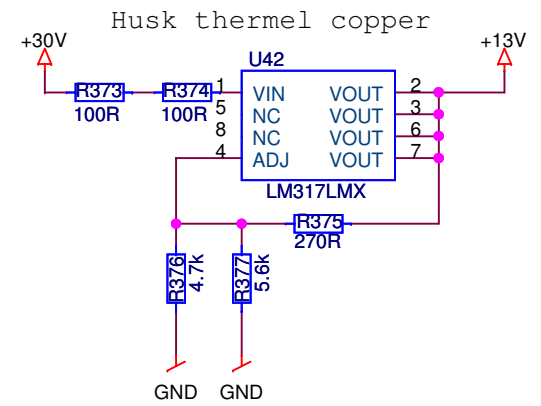
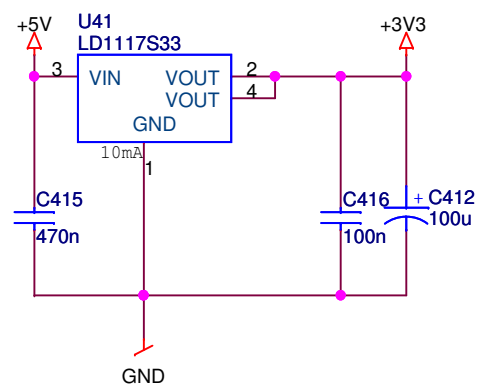
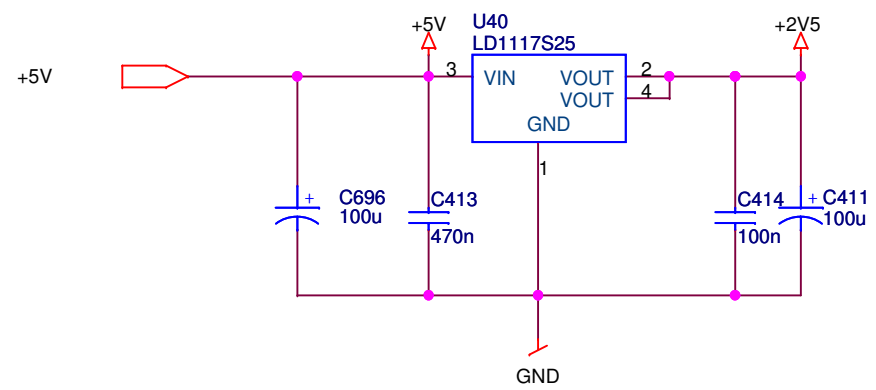
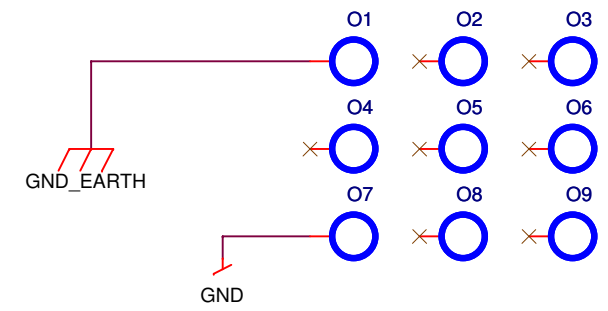
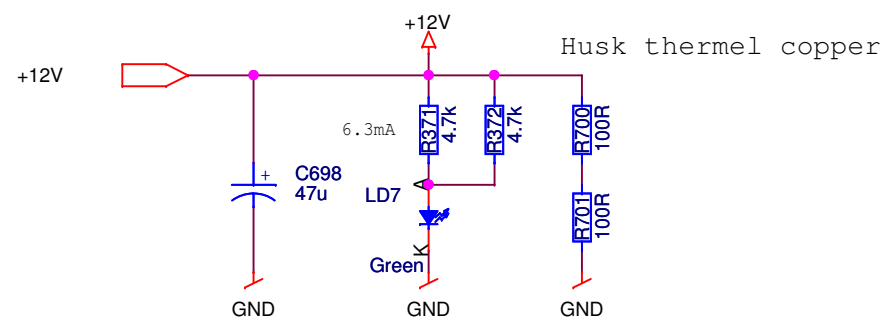
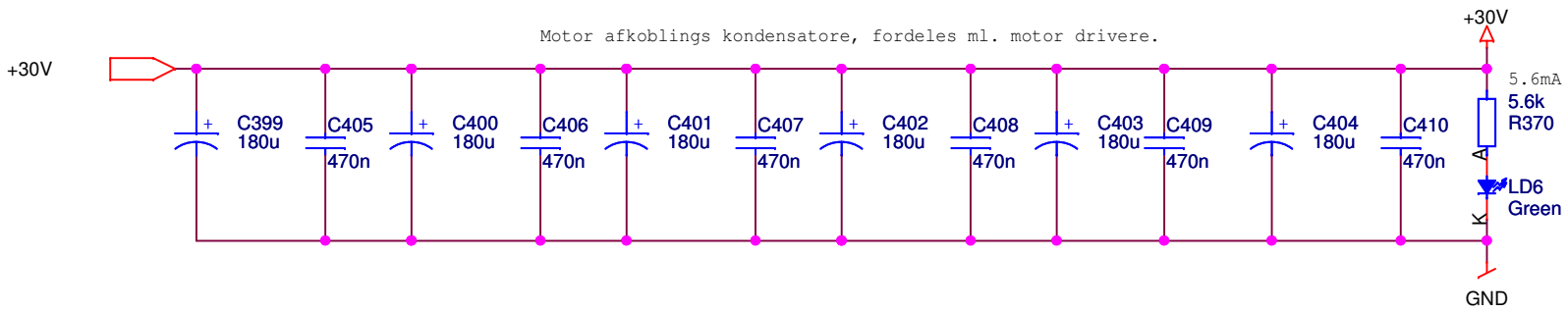
Snubber :
 $R = V_s / I_{peak}$,
 $C = I_{peak} / 200 [V/us]$.



Recommended value for
 Cboot is 220nF.

<Variant Name>

Martin	Project Title MAC400		Drawn By JOH
	Size A4	PCB Title L6205_DRIVER	Rev C
Sheet 29 of 33	Date: Monday, October 20, 2003	Product Baan Number None	



Til rådighed:

+5V: 1.5A
+12V: 2.5A
+32V: 6.5A

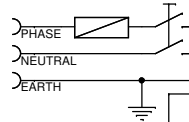
Forbrug:

+2.5V: 210mA
+3.3V: 28mA
+5V: 363,25mA + Sensore
+12V: 1036mA
+13V: ??mA (PIC program)
+30V: 240,40mA + Motore

<Variant Name>

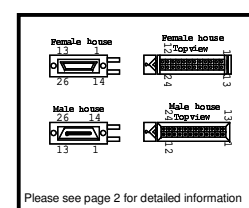
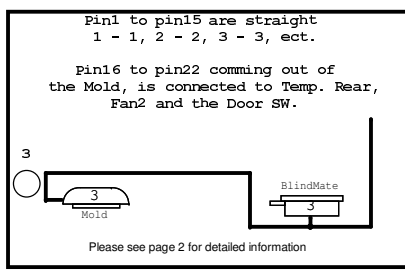
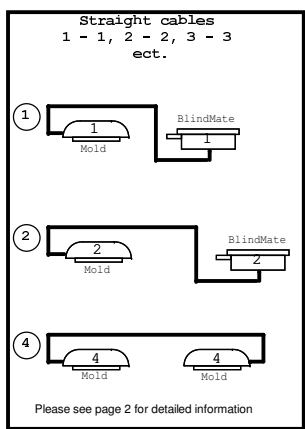
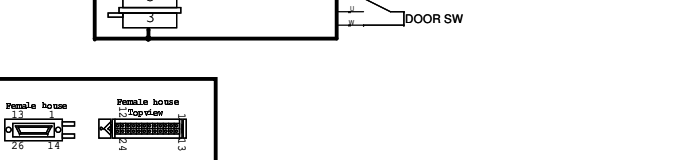
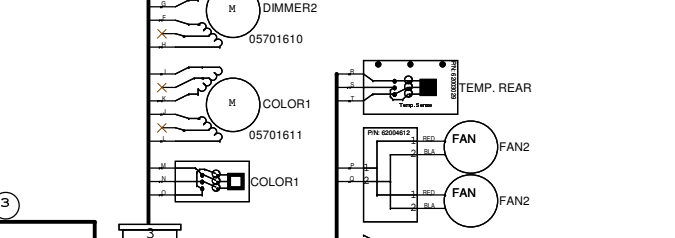
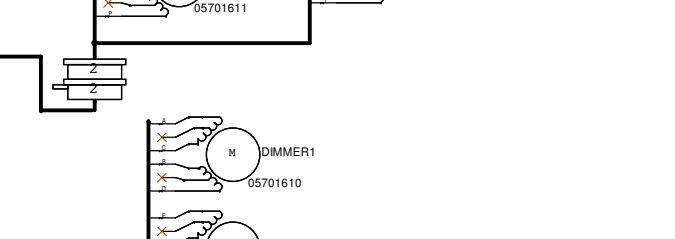
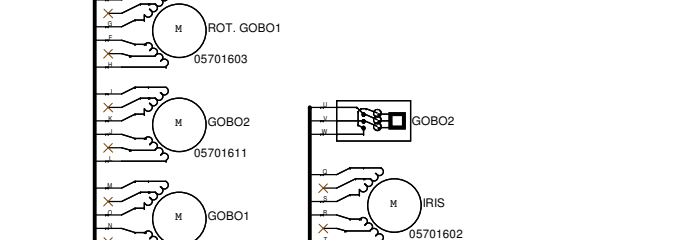
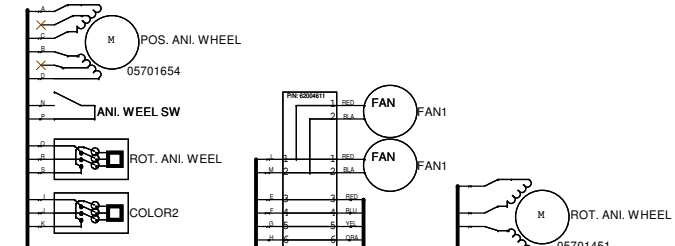
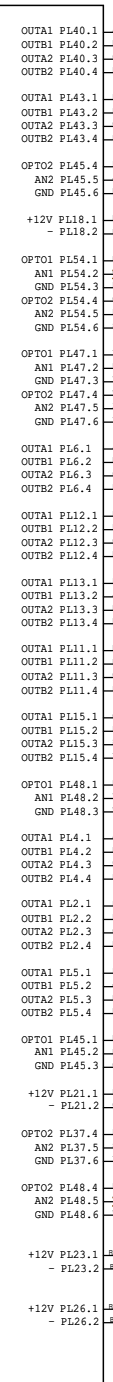
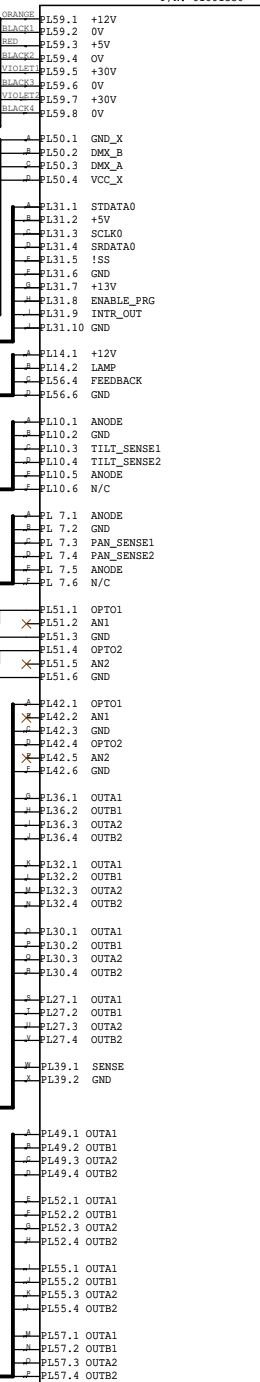
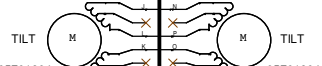
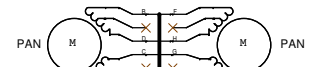
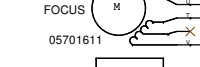
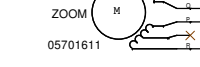
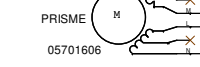
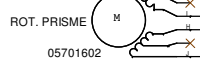
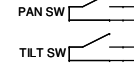
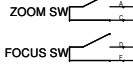
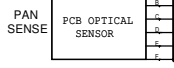
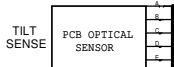
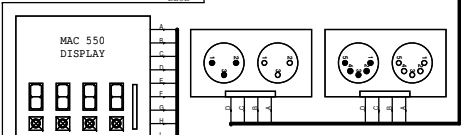
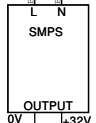
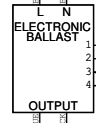
	Project Title MAC400		Drawn By JOH
	Size A	PCB Title PSU	Rev C
Date: Thursday, July 03, 2003		Product Baan Number none	

ON/OFF



P/N: 01003503

P/N: 01001530



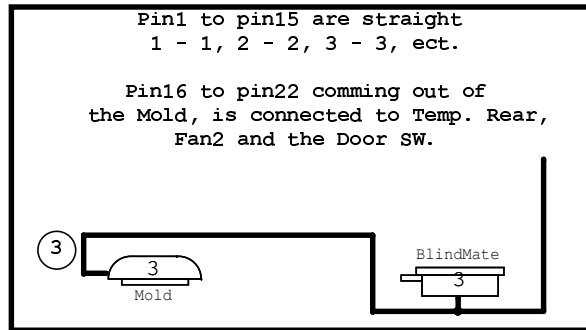
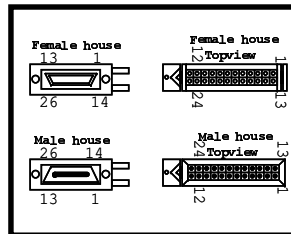
Martin Professional A/S		
Title	MAC550	Drawn By
Size	A3	#HR
Date:	Monday, January 12, 2004	Rev 1
Sheet	1	of 2

Mold & BlindMate	
PIN NO.	
1 - 4	POS. ANI. WHEEL
5 - 8	ROT. ANI. WHEEL
9 - 11	COLOR2 SENSOR
12 - 14	ROT. ANI. WHEEL SENSOR
15 & 16	POS. ANI. WHEEL SWITCH
17 - 19	ROT. GOBO 1 SENSOR
20 - 22	GOBO 1 SENSOR
23 & 24	FAN 1

Mold & BlindMate	
PIN NO.	
1 - 4	COLOR 2
5 - 8	ROT. GOBO 1
9 - 12	COLOR 2
13 - 16	GOBO 1
17 - 20	IRIS
21 - 23	GOBO 2 SENSOR

Mold & BlindMate	
PIN NO.	
1 - 4	DIMMER 1
5 - 8	DIMMER 2
9 - 12	COLOR 1
13 - 15	COLOR 1 SENS.
16 - 18	LAMP. TEMP.
19 & 20	DOOR SWITCH
21 & 22	FAN 2

Mold & BlindMate	
PIN NO.	
1 - 4	FOCUS
5 - 8	ZOOM
9 - 12	PRISM
13 - 16	ROT. PRISM
17 & 18	TEMP. FRONT
19 - 20	FOCUS SWITCH
21 - 22	ZOOM SWITCH



Martin Professional A/S		
Title MAC550		
Size A4	Document Number DiaSchematicUnit_MAC550	Rev 1
Date:	Friday, January 16, 2004	Sheet 2 of 2